

68 0 / A MODULAR OPERATORS BOOTH

PLAN A & PLAN B

(6' x 8' ACTUAL SIZE)

OHIO DESIGN CODES

2005 OHIO BUILDING CODE
 2005 OHIO MECHANICAL CODE
 2005 OHIO PLUMBING CODE
 2005 NATIONAL ELECTRICAL CODE

DESIGN LIVE LOADS

FLOOR:..... 50 PSF LIVE LOAD
 10 PSF DEAD LOAD

ROOF:..... 40 PSF LIVE LOAD
 10 PSF DEAD LOAD

CONSTRUCTION TYPE:..... 5B
 OCCUPANCY/USE GROUP: B
 BUILDING AREA:..... 48 SQ FT.
 MINIMUM BUILDING
 SET BACK:..... GREATER THAN 10 FEET TO A
 COMMON OR ASSUMED PROPERTY LINE

SEISMIC ZONE:..... GROUP I, CATEGORY C
 MAXIMUM WIND LOAD:..... 90 MPH, EXPOSURE C
 OCCUPANT LOAD:..... 1

DRAWING INDEX

DRAWING NUMBER	DESCRIPTION
#1	SPECIFICATIONS
#2	ELEVATIONS
#3	FLOOR / ELECTRICAL PLAN
#4	CROSS SECTION / BLOCKING POINTS PLAN

SPECIAL LIMITATIONS:

ADEQUATE HANDICAPPED RESTROOM FACILITIES TO HANDLE THE ADDITIONAL OCCUPANT LOAD CREATED BY THE ADDITION OF THIS BUILDING TO A SITE SHALL BE PROVIDED IN AN ADJACENT BUILDING ON THE SAME PROPERTY. THE LOCAL OFFICIAL HAVING JURISDICTION SHALL VERIFY THE EXISTING FACILITIES.

TITLE: COVER SHEET	DRAWN BY: R.M.	DATE: 2/1/07	JOB NO: 2007-009
MODEL: 68 0/A GUARD BOOTH	REV:	SCALE: NTS	DRAWING NO: CVR

TWIN MODULAR SERVICES, INC.
 1001 LOWER LANDING RD, SUITE 607, BLACKWOOD, NJ 08012

CHASSIS

TYPE: PERIMETER
MAIN BEAM: 6" JR. I-BEAM
CROSS MEMBERS: 6" JR. I-BEAM @ 24" O.C.
PAINT: ASPHALT BASED

FLOOR

MOISTURE BARRIER: TYVEK OR EQUAL
INSULATION: NONE
DECKING: 3/4" PLYWOOD, 24 O.C. SECURED DIRECTLY TO STEEL FRAME
COVERING: 1/8"x12"x12" VINYL TILE
TRIM: 4" VINYL COVE BASE
OPTIONAL: 3/16" STEEL PLATE FLOOR W/ NON-SKID PAINT

EXTERIOR WALLS

STUDS: 2"x4" STUD GRADE SPF @ 16" O.C.
BOTTOM PLATE: SINGLE 2"x4" #3 SPF
TOP PLATE SINGLE 2"x4" #3 SPF
WALL HEIGHT: 8'-3"
FINISHED CEILING HT: 7'-9" A.F.F.
INSULATION: R-13 FIBERGLASS KRAFT-BACKED BATTS
INT. WALL COVERING: 1/8" VINYL COVERED PANEL (CLASS III)
OPTION: 1/2" VINYL COVERED GYP. WALL COVERING (CLASS I)

ROOF

TYPE: RAFTER, 2x6 #3 SPF @ 16" O.C.
CEILING: 2'x4' T-GRID DROP CEILING @ 7'-9" A.F.F.
INSULATION: R-13 KRAFT FACED FIBERGLASS BATTS
OPTIONAL: 6" ROOF OVERHANG

ELECTRICAL

MAIN DISTRIBUTION PANEL: EXTERIOR (WEATHERPROOF, NEMA 3R) 100 AMP 120/240 VOLT
SINGLE PHASE, 3 WIRE, 60 HZ. WITH GROUND
RACEWAY: MINIMUM #14/2 W/ GROUND 90 DEG. C. TYPE MC, COPPER
INTERIOR LIGHTS: 2'x4' TWO TUBE LAY-IN FLUORESCENT TROFFER PER PRINT
EXTERIOR LIGHTS: 150 WATT QUARTZ HALOGEN SECURITY LIGHT (WEATHERPROOF)
SWITCHES: 120 V. 15 AMP SINGLE POLE PER PRINT
RECEPTACLES: 120 V. 15 AMP DUPLEX RECEPPTS PER PRINT
OPTIONAL: ADDITONAL RECEPTACLES
OPTIONAL: EXTRA EXTERIOR LIGHTING
OPTIONAL: INTERIOR RECESSED ELECTRICAL PANEL, 100 AMP

H.V.A.C.

HEATING: 220V, 20 AMP, 6' ELEC. BASEBOARD HEATER, DEDICATED CIRCUIT
AIR CONDITIONING: 110V (DEDICATED CIRCUIT) 6500 BTU WALL MOUNT
OPTIONAL: WALL MOUNT 11,600 BTU AIR CONDITIONER W/ ELECTRIC HEAT STRIP

EXTERIOR WINDOWS & DOORS

DOORS: 36"x80" ALUM. DOOR, ALUM. FRAME, FOAM INSULATED W/ 14"x14" WINDOW (SAFETY GLAZED),
LEVER HARDWARE
OPTIONAL: 36"x80" STEEL DOOR W/ 22"x30" WINDOW (SAFETY GLAZED), LEVER HARDWARE

WINDOWS: ~~36"x39" HORIZONTAL SLIDER, ALUM. MILL FINISH, SINGLE GLAZE~~
~~36"x39" HORIZONTAL SLIDER, ALUM. MILL FINISH, TEMPERED SAFETY GLAZING~~

OPTIONAL: 36" X 39" HORIZONTAL SLIDER, VINYL CLAD, THERMAL PANE
36" X 39" FIXED GLAZING, VINYL CLAD, THERMAL PANE OR SINGLE GLAZING, MILL FINISH FRAME

EXTERIOR FINISHES

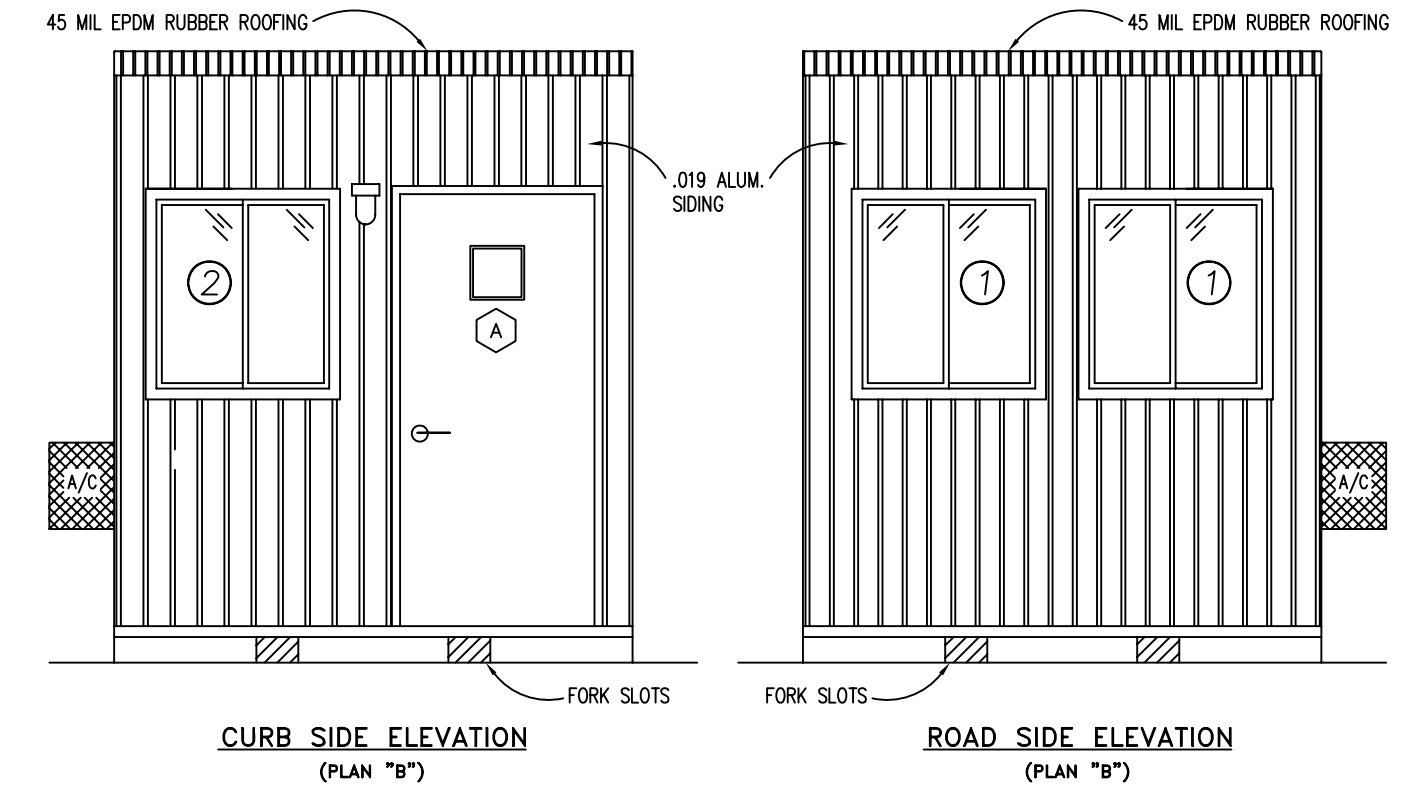
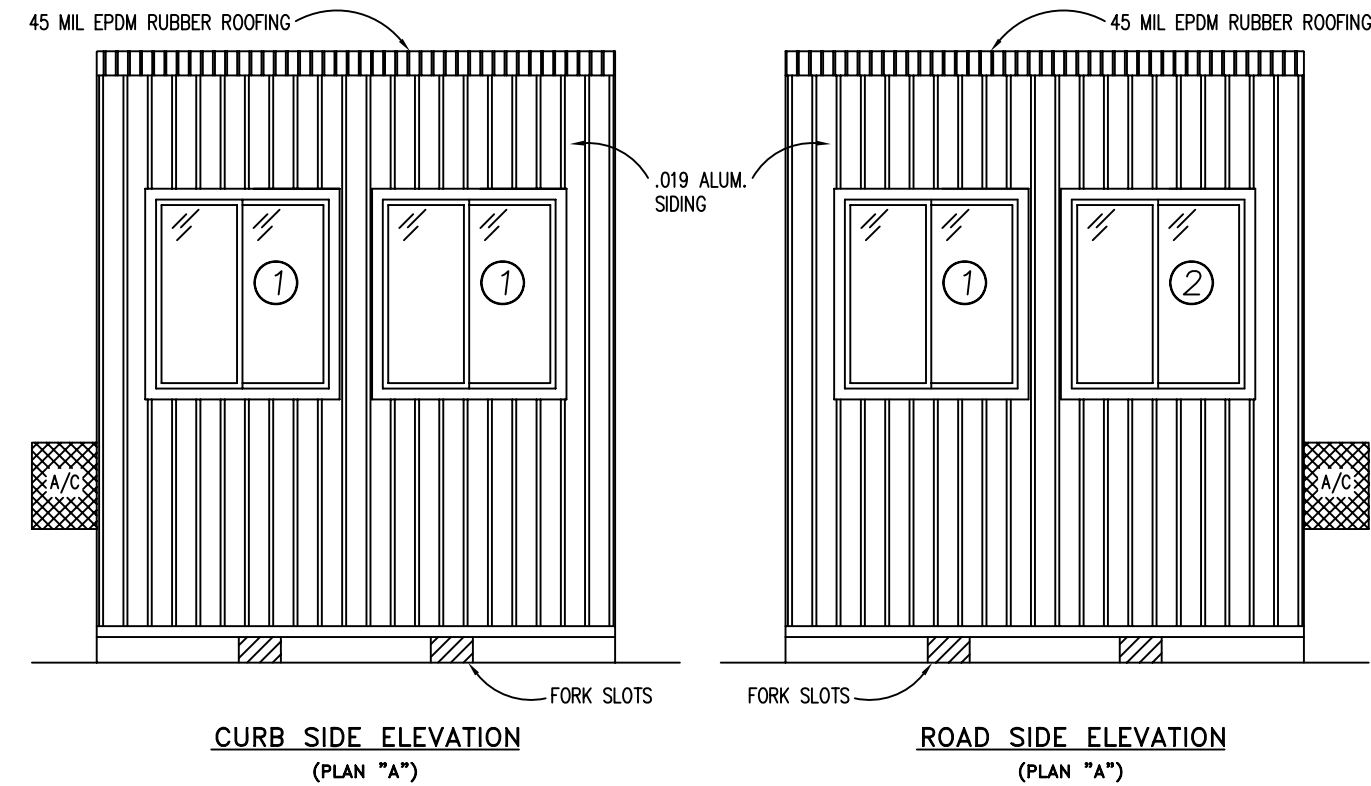
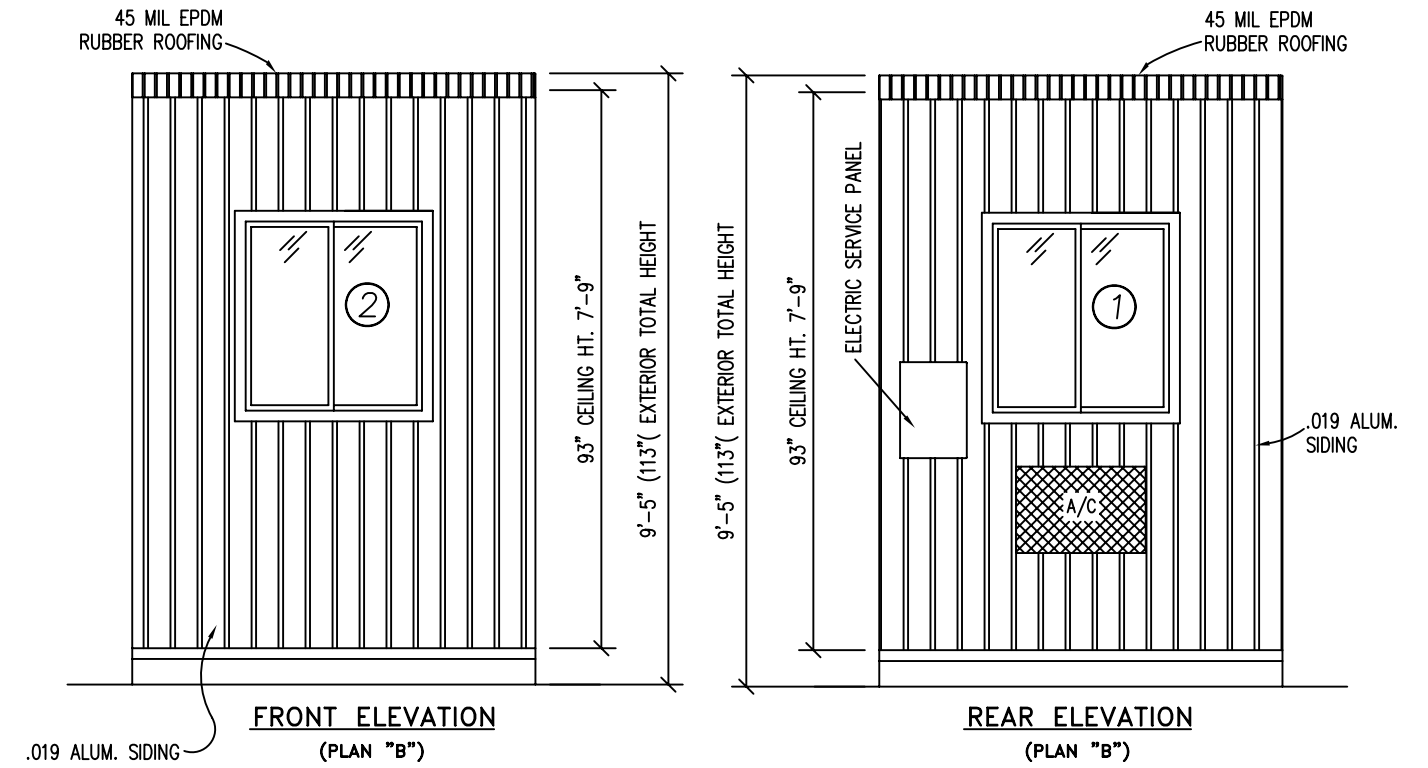
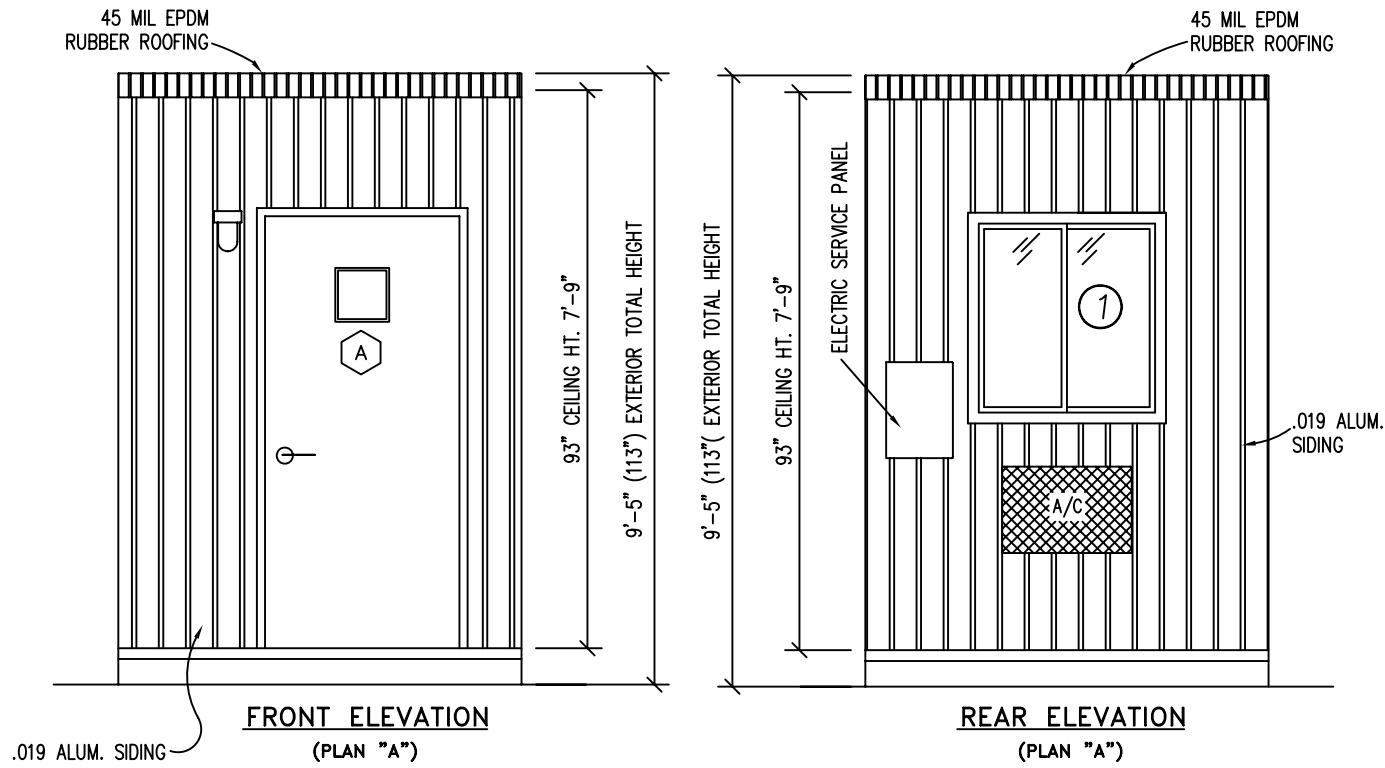
SIDING: .019 ALUMINUM
TRIM: .019 ALUMINUM
WALL SHEATHING: 7/16" OSB, 16/0 APA SPAN INDEX RATING
ROOF SHEATHING: 1/2" CDX PLYWOOD, 16/0 SPAN RATING
ROOF: .45 EPDM RUBBER ROOFING

FURNITURE

OPTIONAL: 2'-0" x 5'-4" COUNTER TOP - WHITE MICA

STANDARD WITH OPERATORS BOOTH

TITLE: SPECIFICATIONS	DRAWN BY: R.M.	DATE: 2/1/07	JOB NO: 2007-009
MODEL: 68 O/A GUARD BOOTH	REV:	SCALE: NTS	DRAWING NO: 1
TWIN MODULAR SERVICES, INC. 1001 LOWER LANDING RD, SUITE 607, BLACKWOOD, NJ 08012			

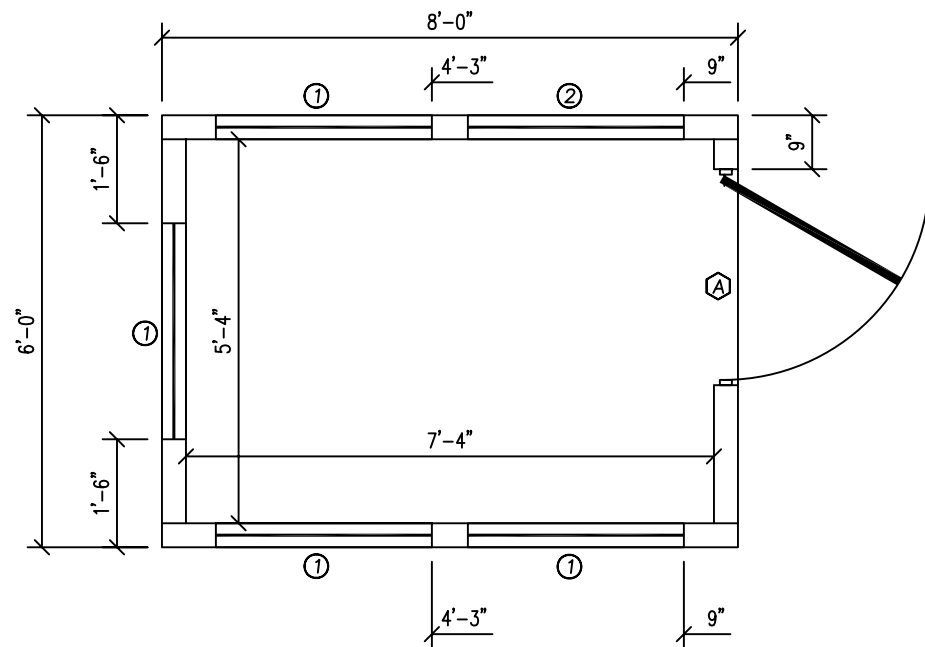


DOOR AND WINDOW SCHEDULE

- Ⓐ 36"x80" ALUM. DOOR, ALUM. FRAME, FOAM INSULATED W/ 14"x14" WINDOW (SAFETY GLAZED), LEVER HARDWARE
- ① 36"x39" HORIZONTAL SLIDER, ALUM. MILL FINISH, SINGLE GLAZE
- ② 36"x39" HORIZONTAL SLIDER, ALUM. MILL FINISH, TEMPERED SAFETY GLAZING

DOOR AND WINDOW SCHEDULE

- Ⓐ 36"x80" ALUM. DOOR, ALUM. FRAME, FOAM INSULATED W/ 14"x14" WINDOW (SAFETY GLAZED), LEVER HARDWARE
- ① 36"x39" HORIZONTAL SLIDER, ALUM. MILL FINISH, SINGLE GLAZE
- ② 36"x39" HORIZONTAL SLIDER, ALUM. MILL FINISH, TEMPERED SAFETY GLAZING

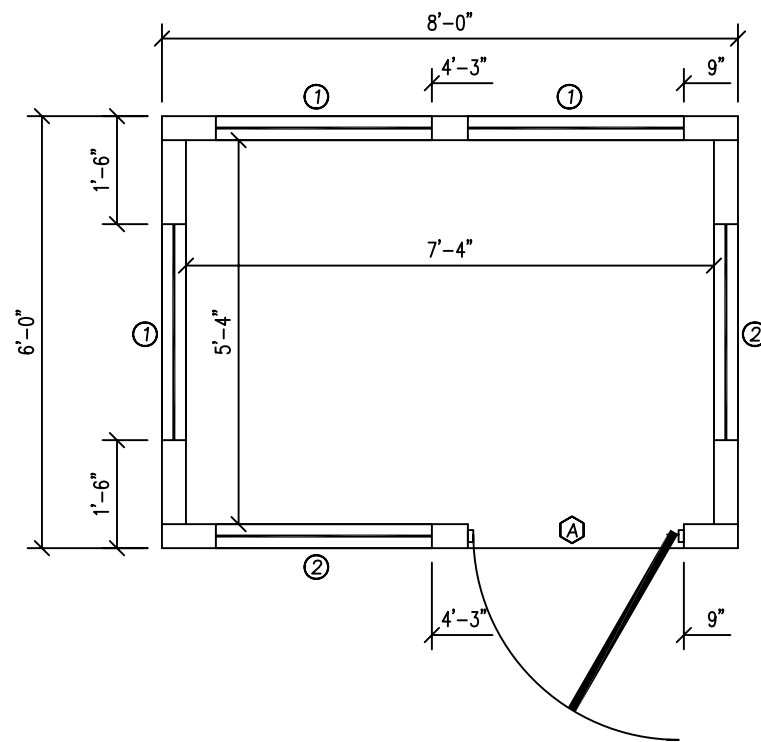


GUARDHOUSE FLOOR PLAN "A"

DOOR AND WINDOW SCHEDULE

- Ⓐ 36"x80" ALUM. DOOR, ALUM. FRAME, FOAM INSULATED W/ 14"x14" WINDOW (SAFETY GLAZED), LEVER HARDWARE
- ① 36"x39"

VINYL THERMAL INSULATED

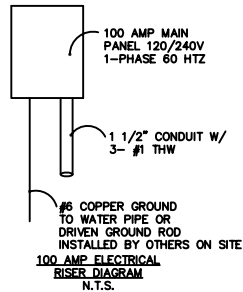


GUARDHOUSE FLOOR PLAN "B"

DOOR AND WINDOW SCHEDULE

- Ⓐ 36"x80" ALUM. DOOR, ALUM. FRAME, FOAM INSULATED W/ 14"x14" WINDOW (SAFETY GLAZED), LEVER HARDWARE
- ① 36"x39" HORIZONTAL SLIDER, ALUM. MILL FINISH, SINGLE GLAZE
- ② 36"x39" HORIZONTAL SLIDER, ALUM. MILL FINISH, TEMPERED SAFETY GLAZING

CAPACITIES OF INSULATED CONDUCTORS 80°C WIRE COPPER	
AWG	MAXIMUM AMPACITY
14	15 AMP
12	20 AMP
10	30 AMP
8	50 AMP
6	65 AMP
4	85 AMP
3	100 AMP
2	115 AMP
1	130 AMP

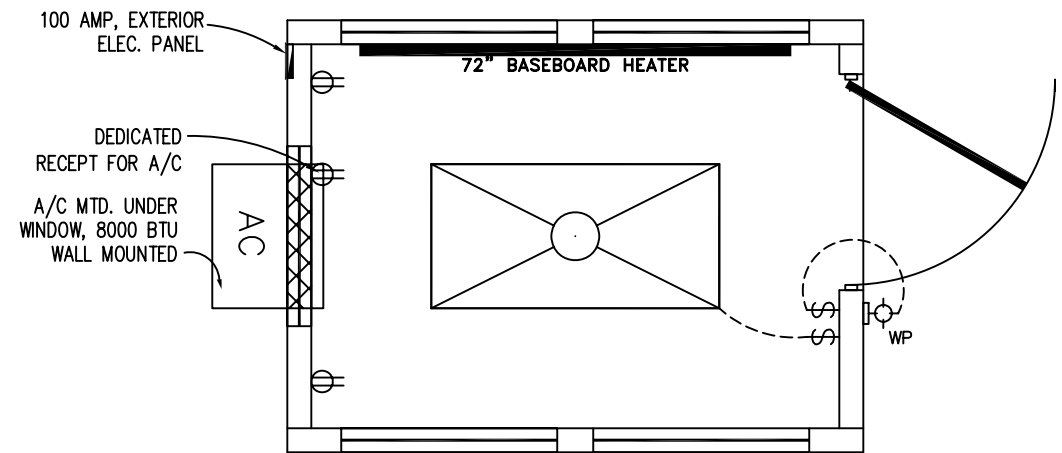


ELECTRICAL LEGEND

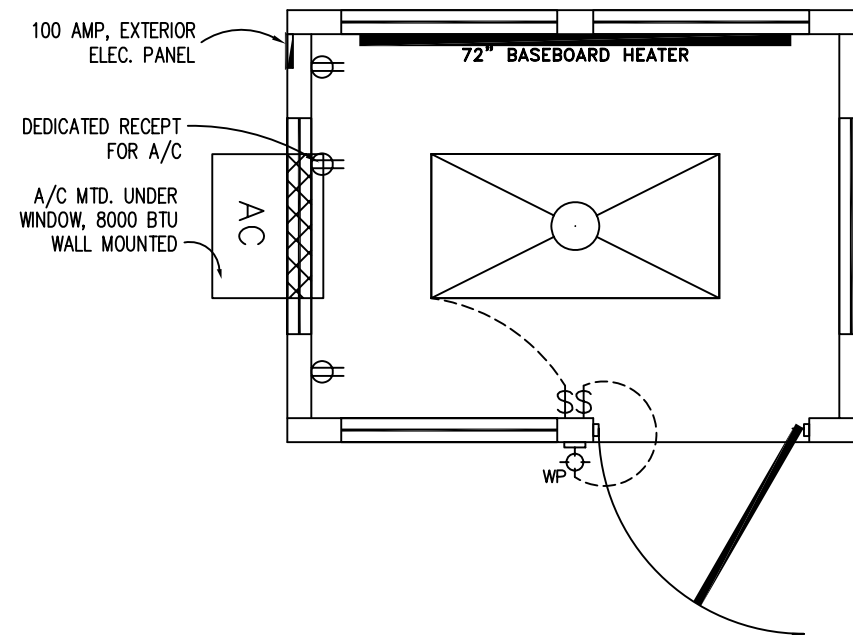
- 2'x4' DROP-IN FLUORESCENT LIGHT
- 100AMP, EXTERIOR, 120/240V MAIN PANEL, WEATHERPROOF
- 15A 110V SINGLE POLE TOGGLE SWITCH +48"
- 15A 120V DUPLEX RECEPTACLE (RECEPTS AT +34" UNLESS NOTED)
- EXTERIOR WALL MOUNTED LIGHT, WEATHERPROOF
- 72" BASEBOARD HEATER

ELECTRICAL

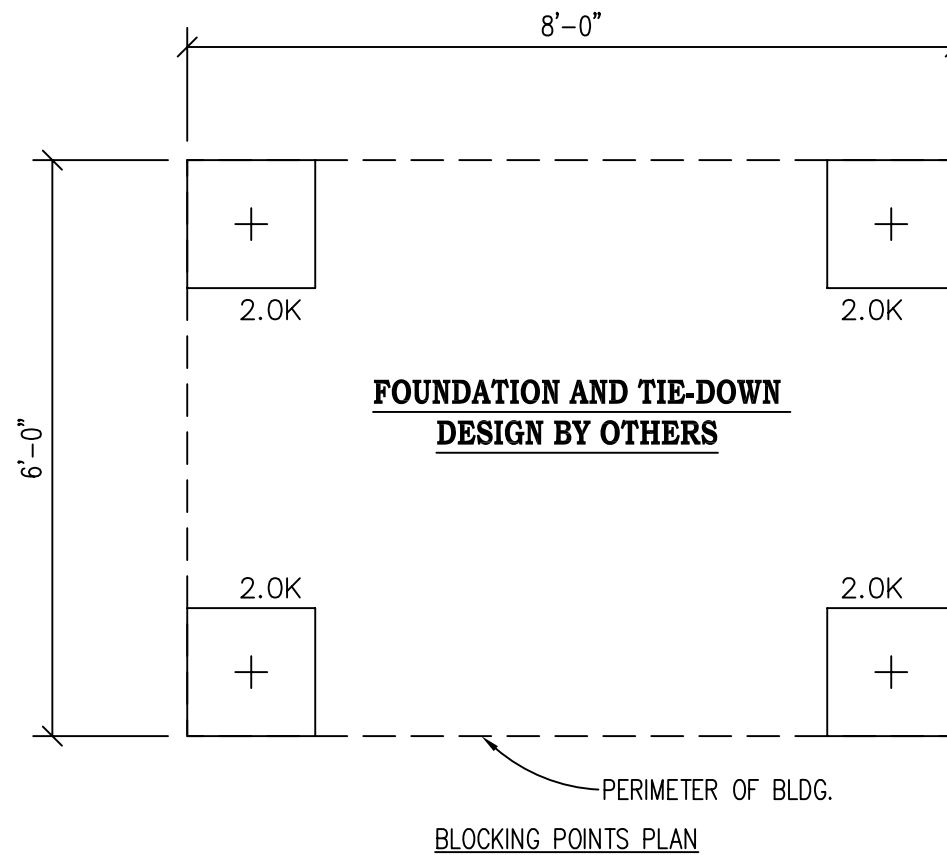
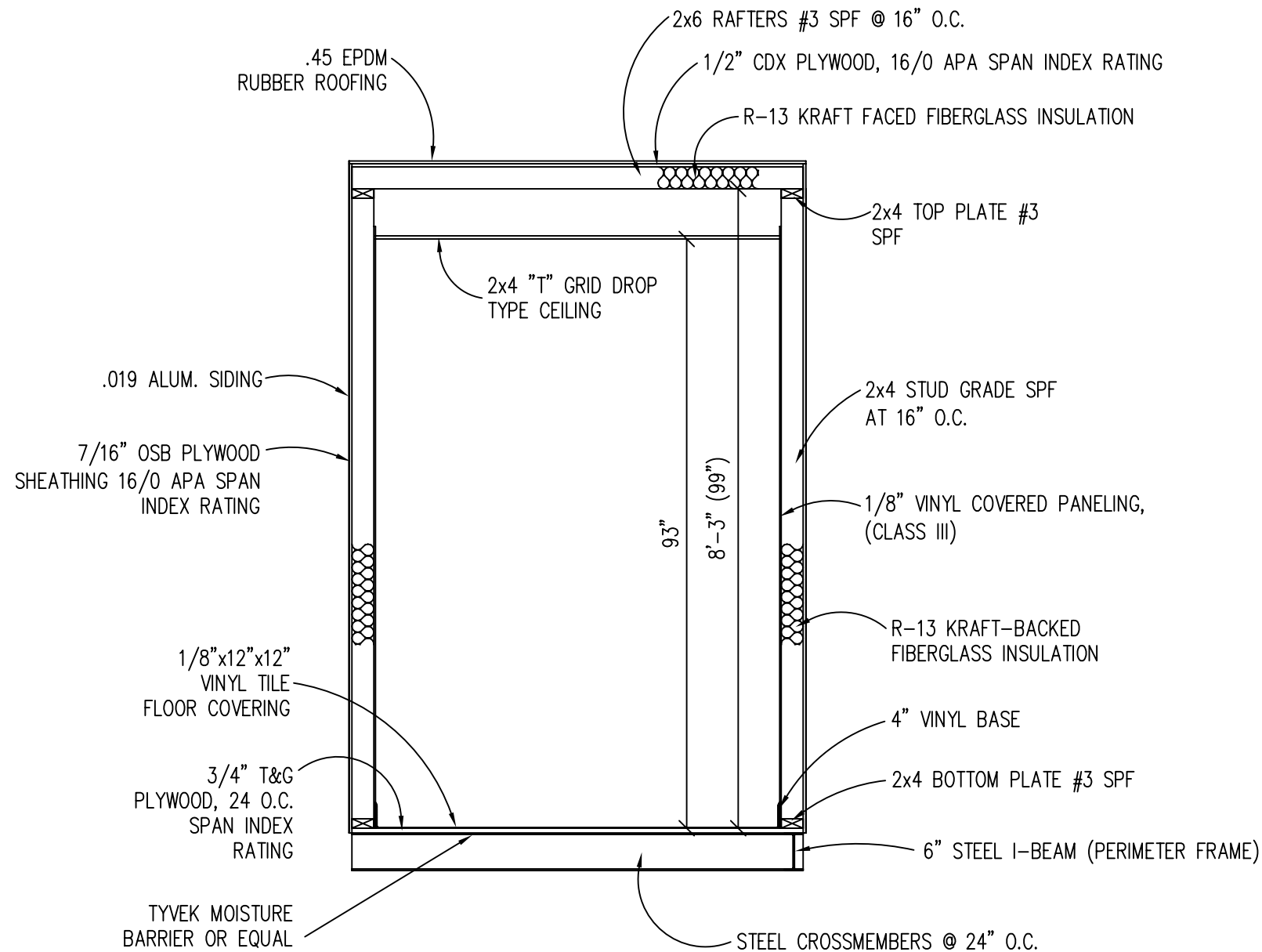
1. ALL RECEPTACLES TO BE GROUNDING TYPE.
2. ALL WIRING TO BE PER THE EDITION OF THE NEC LISTED ON THE COVER PAGE, TYPE MC (CU) W/ GROUND.
3. MAIN PANEL TO BE MARKED "SUITABLE FOR USE AS SERVICE EQUIPMENT", AND BE EQUIPPED W/ BREAKER/FUSE TYPE OVERCURRENT PROTECTION.
4. PROPER THERMAL OVERLOAD PROTECTION TO BE PROVIDED FOR ALL MOTORS.
5. DISCONNECTING MEANS WITHIN SIGHT REQUIRED FOR ALL MOTORS.
6. WEATHERPROOF PROTECTION REQUIRED FOR ALL OUTDOOR LIGHTS, RECEPTACLES AND DISCONNECTS.
7. PROPER WORKING CLEARANCES TO BE PROVIDED AND MAINTAINED ABOUT ALL ELECTRICAL EQUIPMENT.
8. ALL FLUORESCENT FIXTURES REQUIRE THERMAL PROTECTION AND PROPER CLEARANCES FROM INSULATION, ALSO APPLICABLE FOR INCANDESCENT FIXTURES.
9. COMBINATION EXHAUST FAN/LIGHT AND ALL RECESSED INCANDESCENT FIXTURES TO BE WITH THERMAL PROTECTION.
10. EXIT LIGHTS (IF ELECTRIC) MUST BE FED FROM AN APPROVED EMERGENCY SERVICE CONNECTED AHEAD OF, BUT NOT WITHIN MAIN SERVICE DISCONNECTION MEANS ENCLOSURE, AND INSTALLED AS PER SERVICE REQUIREMENTS, OR BE BATTERY BACKUP TYPE UNITS.
11. SERVICE CONDUCTORS, LOCATED WITHIN THE PERIMETER OF THE BUILDING, SHALL BE INSTALLED IN ACCORDANCE WITH ARTICLE 230-6, PER THE EDITION OF THE NEC LISTED ON THE COVER PAGE.
12. MAXIMUM 15 (2) TUBE FLOURESCENT LIGHTS ON 15A CIRCUIT, MAXIMUM 10 RECEPTS ON 15A CIRCUIT, MAXIMUM 7 (4) TUBE FLOURESCENT LIGHTS ON 15A CIRCUIT.
13. MAXIMUM 20 (2) TUBE FLOURESCENT LIGHTS ON 20A CIRCUIT, MAXIMUM 13 RECEPTS ON 20A CIRCUIT, MAXIMUM 10 (4) TUBE FLOURESCENT LIGHTS ON 20A CIRCUIT.



ELECTRICAL (PLAN "A")



ELECTRICAL (PLAN "B")



DESIGN LOADS

FLOOR LIVE LOAD	= 50 PSF
FLOOR DEAD LOAD	= 10 PSF
ROOF LIVE LOAD	= 40 PSF
ROOF DEAD LOAD	= 10 PSF
EXTERIOR WALL DEAD LOAD	= 42 PLF

FOUNDATION LEGEND

- INDICATES BLOCKING TO BOTTOM OF MAIN I-BEAM
- INDICATES BLOCKING TO BOTTOM OF COLUMN
- INDICATES MINUTE-MAN OR EQUAL FRAME TIE-DOWN LOCATION AND DIRECTION

FOUNDATION

- THE PIER LOCATIONS SHOWN ON THIS PLAN ARE FOR THE PURPOSE OF IDENTIFYING THE LOCATION OF THE REQUIRED BLOCKING POINTS AND THE LOADS APPLIED AT EACH POINT FOR THIS BUILDING. FOUNDATION REQUIREMENTS ARE NOT KNOWN DUE TO VARYING SOIL CONDITIONS.
- FOUNDATION DESIGN IS BY OTHERS. FOUNDATION REVIEW AND APPROVAL IS TO BE PERFORMED BY THE LOCAL OFFICIAL HAVING JURISDICTION.
- CRAWL SPACE TO BE VENTILATED AT 1 SQ. FT. PER EACH 150 SQ. FT. OF CRAWL SPACE AREA TO BE VENTILATED.
- PROVIDE POSITIVE DRAINAGE UNDER UNIT.
- PROVIDE MINIMUM CRAWL SPACE ACCESS OF 22" x 24".

BUILDING CODE

- ATTIC VENTILATION SHALL NOT BE LESS THAN 1/150th OF THE HORIZONTAL AREA TO BE VENTILATED.
- THE BUILDING EXTERIOR AND ALL FACILITIES WITHIN THE BUILDING SHALL BE IDENTIFIED WITH THE INTERNATIONAL SYMBOL OF ACCESSIBILITY.
- CUSTOMER/BUYER SHALL BE RESPONSIBLE FOR ON SITE BARRIER FREE PROVISIONS: STEPS, RAMPS, PARKING SIGNS, ETC. - BUILDING APPROACH (WALK OR RAMP) WITH A MINIMUM WIDTH OF 5' AND A GRADIENT OF NOT MORE THAN 1 FOOT IN 20 FEET.
- ALL LOCKS TO BE UNLOCKABLE FROM THE INTERIOR WITHOUT THE USE OF A KEY OR SPECIAL KNOWLEDGE.
- CORROSION RESISTANT FLASHING AT TOP AND SIDES OF DOORS, WINDOWS AND AT ROOF PENETRATIONS.
- ALL GLAZING WITHIN 24" OF EXTERIOR PASSAGE DOORS AND IN PASSAGE DOORS, OR WITHIN 18" OF FLOOR TO BE "SAFETY GLAZED" AND SO MARKED.

TITLE: BLOCKING POINTS PLAN CROSS SECTION	DATE: 2/1/07	JOB NO: 2007-009
MODEL: 68 O/A GUARD BOOTH	SCALE: 1/4"=1'-0"	DRAWING NO: 4
TWIN MODULAR SERVICES, INC. 1001 LOWER LANDING RD, SUITE 607, BLACKWOOD, NJ 08012		
DRAWN BY: R.M.		
REV:		