

# 46 O/A MODULAR OPERATORS BOOTH

(4' x 6' ACTUAL SIZE)

## OHIO DESIGN CODES

2007 OHIO BUILDING CODE  
 2007 OHIO MECHANICAL CODE  
 2007 OHIO PLUMBING CODE  
 2005 NATIONAL ELECTRICAL CODE

## DESIGN LIVE LOADS

FLOOR:..... 50 PSF LIVE LOAD  
 10 PSF DEAD LOAD

ROOF:..... 40 PSF LIVE LOAD  
 10 PSF DEAD LOAD

CONSTRUCTION TYPE:..... 5B  
 OCCUPANCY/USE GROUP: B  
 BUILDING AREA:..... 24 SQ FT.  
 MINIMUM BUILDING  
 SET BACK:..... GREATER THAN 10 FEET TO A  
 COMMON OR ASSUMED PROPERTY LINE

SEISMIC ZONE:..... GROUP I, CATEGORY C  
 MAXIMUM WIND LOAD:..... 90 MPH, EXPOSURE C  
 OCCUPANT LOAD:..... 1

## DRAWING INDEX

DRAWING NUMBER	DESCRIPTION
#1	SPECIFICATIONS
#2	ELEVATIONS (GUARDHOUSE PLAN "A")
#3	ELEVATIONS (GUARDHOUSE PLAN ""B")
#4	FLOOR / ELECTRICAL PLAN
#5	CROSS SECTION / BLOCKING POINTS PLAN

## SPECIAL LIMITATIONS:

ADEQUATE HANDICAPPED RESTROOM FACILITIES TO HANDLE THE ADDITIONAL OCCUPANT LOAD CREATED BY THE ADDITION OF THIS BUILDING TO A SITE SHALL BE PROVIDED IN AN ADJACENT BUILDING ON THE SAME PROPERTY. THE LOCAL OFFICIAL HAVING JURISDICTION SHALL VERIFY THE EXISTING FACILITIES.

TITLE: COVER SHEET	DRAWN BY: R.M.	DATE: 11/13/07	JOB NO: 2007-371
MODEL: 46 O/A GUARD BOOTH	REV:	SCALE: NTS	DRAWING NO: CVR
TWIN MODULAR SERVICES, INC. 1001 LOWER LANDING RD, SUITE 607, BLACKWOOD, NJ 08012			

CHASSIS

TYPE: PERIMETER  
MAIN BEAM: 6" JR. I-BEAM  
CROSS MEMBERS: 6" JR. I-BEAM @ 24" O.C.  
PAINT: ASPHALT BASED

FLOOR

INSULATION: NONE  
DECKING: 3/4" PLYWOOD, 24 O.C. SECURED DIRECTLY TO STEEL FRAME  
OPTIONAL: 1/4" STEEL PLATE FLOOR W/ NON-SKIP EPOXY PAINT  
COVERING: 1/8"x12"x12" VINYL TILE  
TRIM: 4" VINYL COVE BASE  
MOISTURE BARRIER: TYVEK OR EQUAL

EXTERIOR WALLS

STUDS: 2"x4" STUD GRADE SPF @ 16" O.C.  
BOTTOM PLATE: SINGLE 2"x4" #3 SPF  
TOP PLATE SINGLE 2"x4" #3 SPF  
WALL HEIGHT: 8'-3"  
FINISHED CEILING HT: 7'-8" A.F.F.  
INSULATION: R-13 FIBERGLASS KRAFT-BACKED BATTS  
INT. WALL COVERING: 1/4" VINYL COVERED PANEL (CLASS III)  
INT. WALL COVERING OPTION: 1/2" VINYL COVERED GYP. (CLASS I)

ROOF

TYPE: RAFTER, 2x4 #2 SPF @ 16" O.C.  
CEILING: 2'x4' T-GRID DROP CEILING @ 7'-9" A.F.F.  
INSULATION: R-13 KRAFT FACED FIBERGLASS BATTS  
OPTIONAL: 6" OVERHANG ALL SIDES

ELECTRICAL

MAIN DISTRIBUTION PANEL: EXTERIOR (WEATHERPROOF) 100 AMP 120/240 VOLT SINGLE PHASE, 3 WIRE, 60 HZ. WITH GROUND  
RACEWAY: MINIMUM #14/2, 90 DEG. C. TYPE MC, COPPER  
INTERIOR LIGHTS: 2'x2' TWO TUBE LAY-IN FLUORESCENT TROFFER PER PRINT  
EXTERIOR LIGHTS: 150 WATT QUARTZ HALOGEN SECURITY LIGHT (WEATHERPROOF)  
SWITCHES: 120 V. 15 AMP SINGLE POLE PER PRINT  
RECEPTACLES: 120 V. 15 AMP DUPLEX RECEPES PER PRINT

H.V.A.C.

HEATING: 220V, 20 AMP, 4' ELEC. BASEBOARD HEATER, DEDICATED CIRCUIT  
AIR CONDITIONING: 110V, 5000 BTU WALL MOUNT, DEDICATED CIRCUIT  
OPTION: THERMOSTAT CONTROL OF A/C & B.B. HEATER  
OPTION: 11600 BTU AIR CONTITIONING / HEAT COMBO UNIT, WALL MOUNTED

EXTERIOR WINDOWS & DOORS

DOORS: 36"x80" ALUM. DOOR, ALUM. FRAME, FOAM INSULATED W/ 14"x14" S.G., LEVER PASSAGE HARDWARE  
OPTION: 36"x80" STEEL DOOR W/ 22"x30" WINDOW (S.G.), CLOSER

~~WINDOWS: 36"x39" HORIZONTAL SLIDER, ALUM. MILL FRAME, SINGLE GLAZE~~

~~36"x39" CLEAR TEMPERED GLASS HORIZONTAL SLIDER, ALUM. MILL FRAME~~

OPTION 1 36"x39" HORIZONTAL SLIDER, VINYL THERMAL INSULATED WINDOWS

~~OPTION: 24"x36" CLEAR TEMPERED GLASS TICKET WINDOW WITH STAINLESS STEEL SHELF, SPEAK-THRU & 1/2 ROUND TICKET SERVICE~~

OPTION 2 36"x39" PICTURE WINDOW - NON OPERABLE, VINYL THERMAL INSULATED OR SINGLE GLAZED MILL FINISH FRAMES

EXTERIOR FINISHES

SIDING: .019 ALUMINUM  
TRIM: .019 ALUMINUM  
WALL SHEATHING: 7/16" OSB OR CDX PLYWOOD, 16/0 SPAN INDEX RATING  
ROOF SHEATHING: 1/2" CDX PLYWOOD, 16/0 SPAN RATING  
ROOF: .45 EPDM RUBBER ROOFING

FURNISHINGS

COUNTER TOP - WHITE MICA

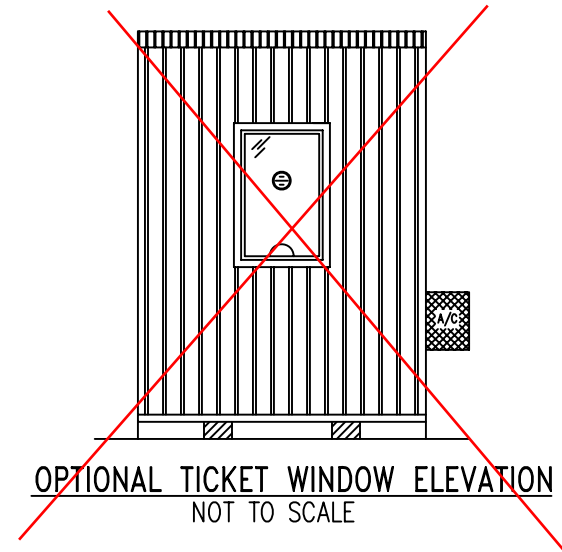
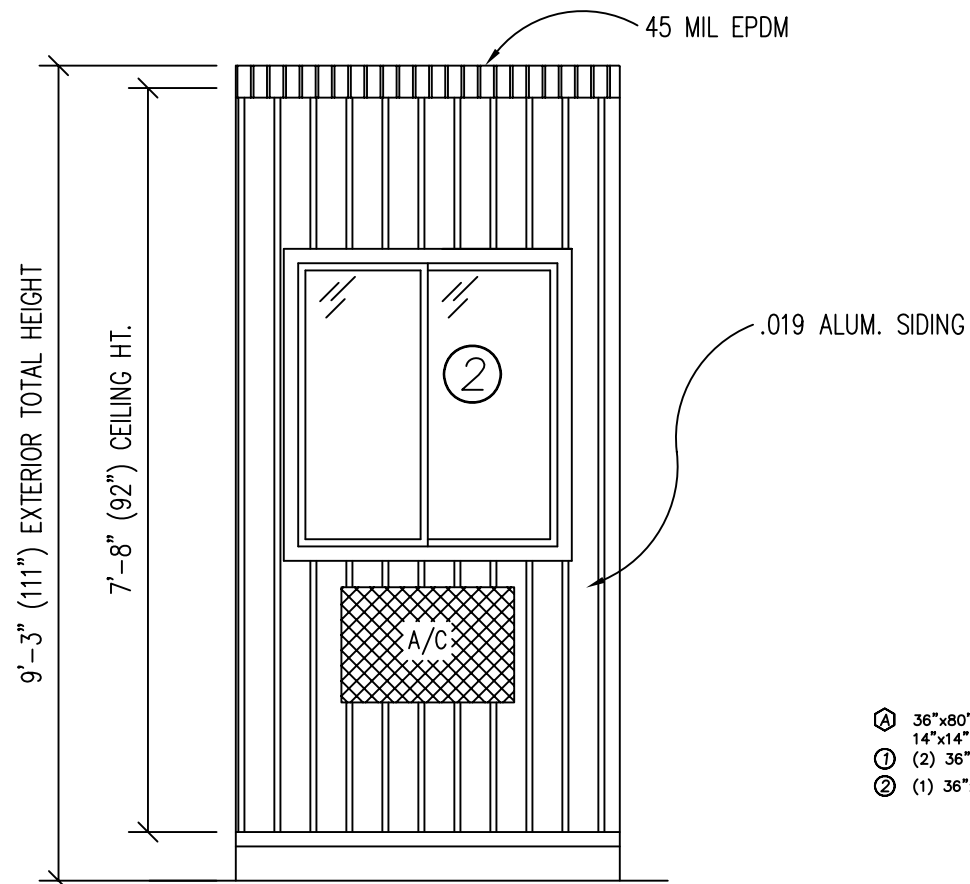
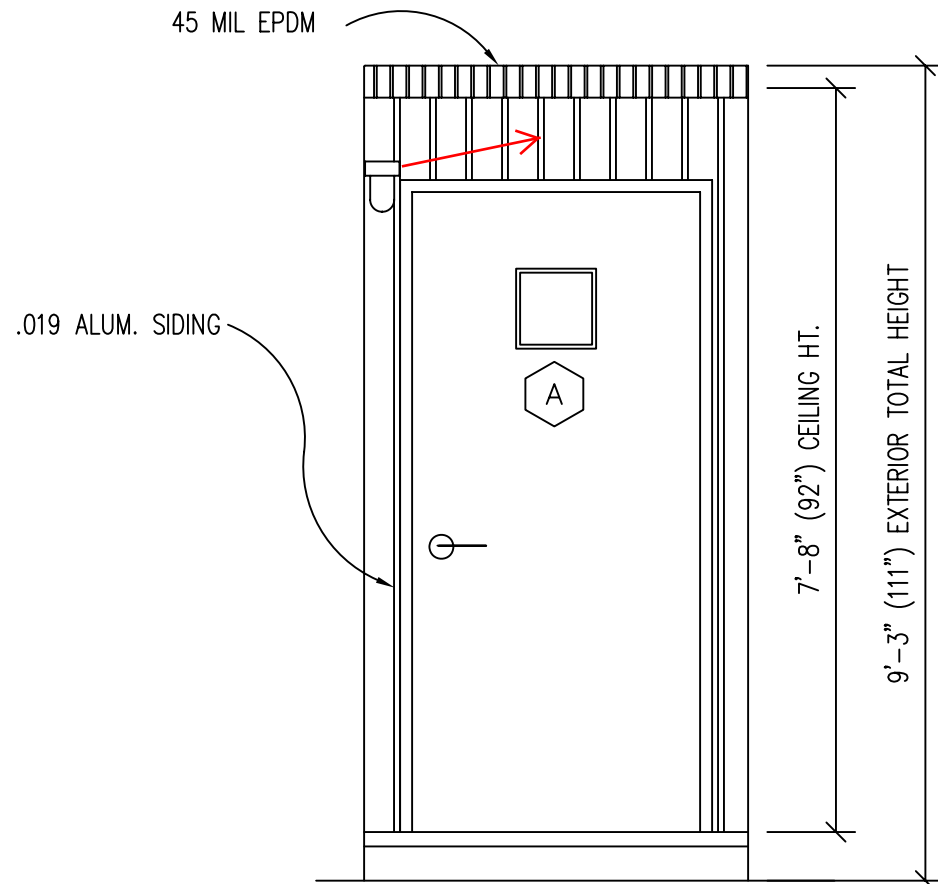
TITLE: SPECIFICATIONS  
MODEL: 46 O/A GUARD BOOTH

DRAWN BY: R.M.  
REV:

TWIN MODULAR SERVICES, INC.  
1001 LOWER LANDING RD, SUITE 607, BLACKWOOD, NJ 08012

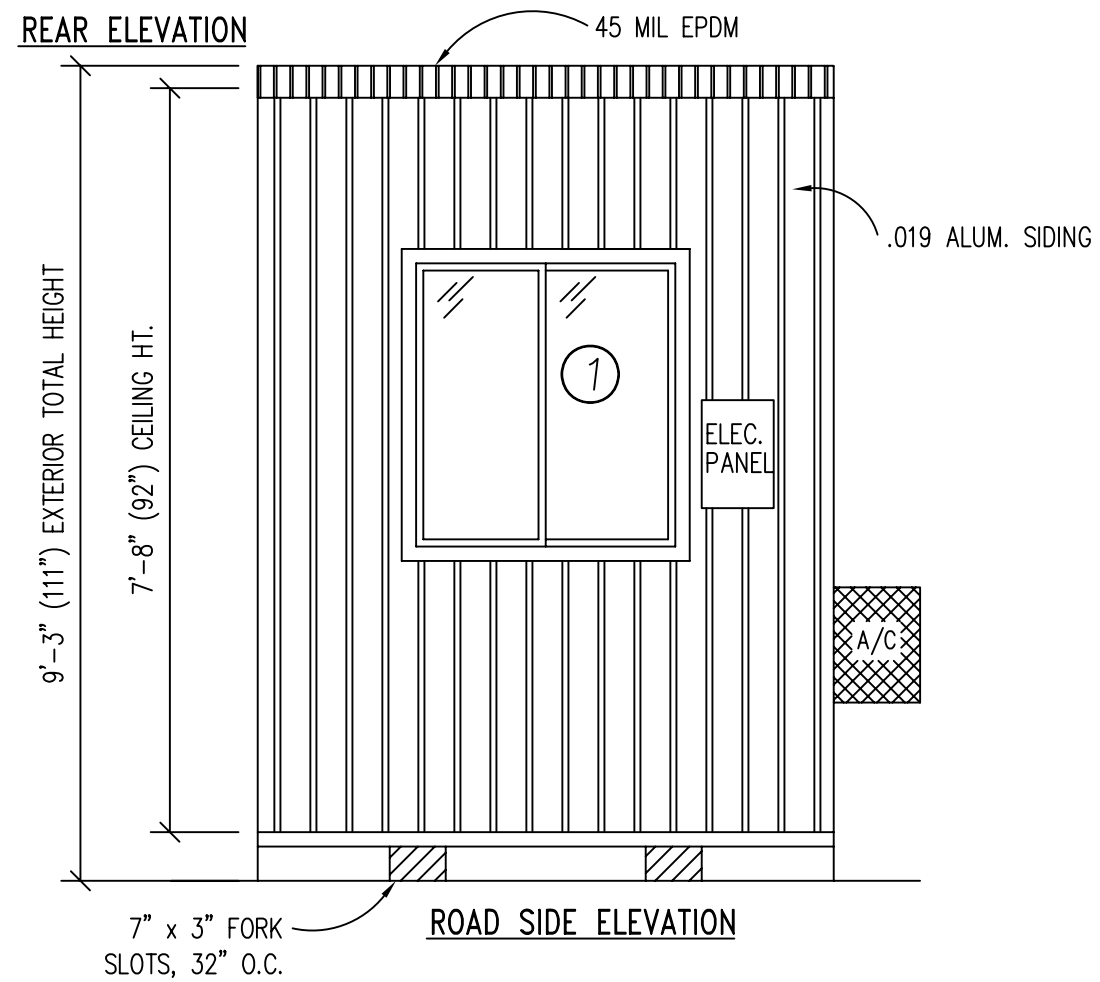
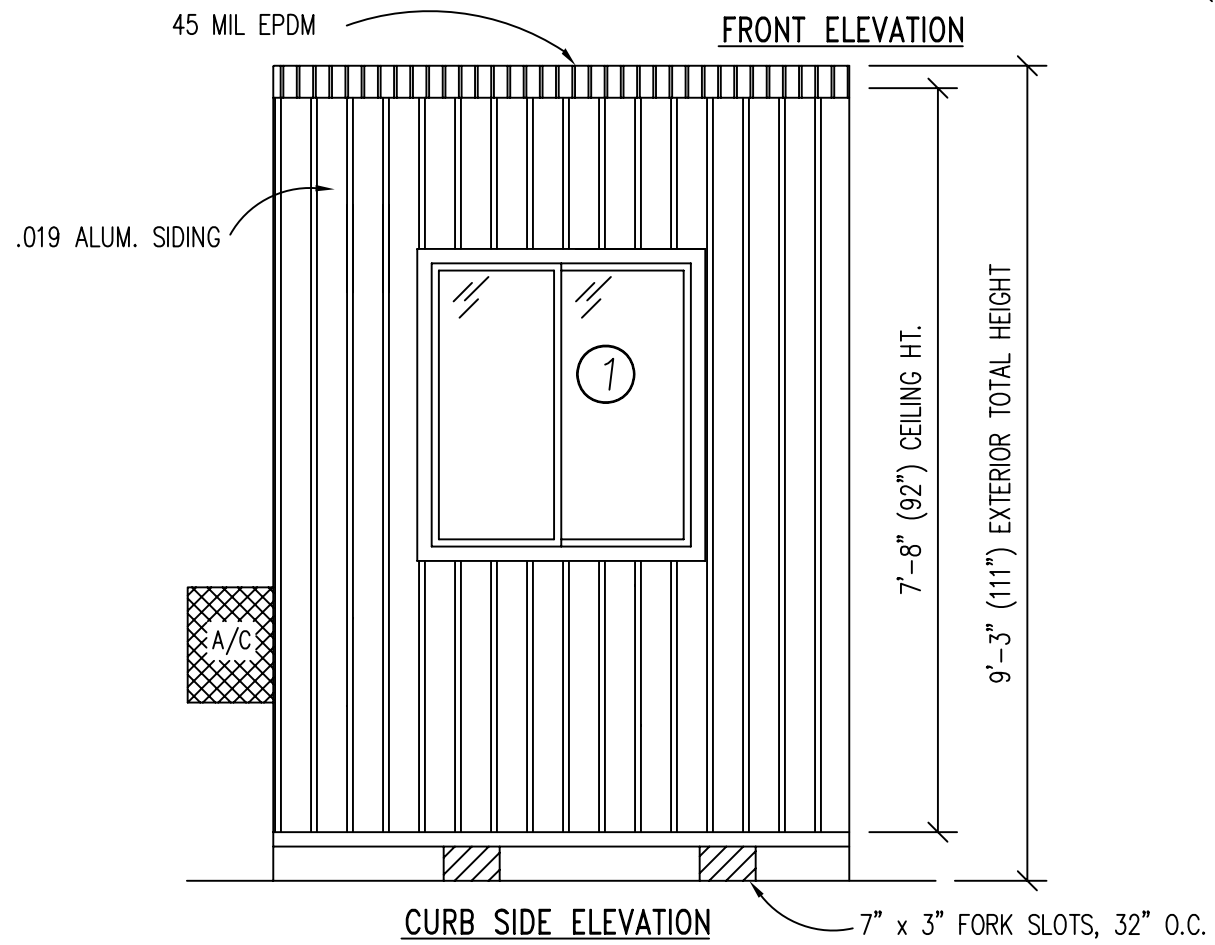
DATE: 11/14/07  
SCALE: NTS

JOB NO: 2007-371  
DRAWING NO: 1



**DOOR AND WINDOW SCHEDULE**

- Ⓐ 36"x80" ALUM. DOOR, ALUM. FRAME, FOAM INSULATED W/ 14"x14" S.G., LEVER PASSAGE HARDWARE
- ① (2) 36"x39" **NON OPERABLE PICTURE -VINYL THERMAL INSULATED**
- ② (1) 36"x39" HORIZONTAL SLIDER, **VINYL THERMAL INSULATED**

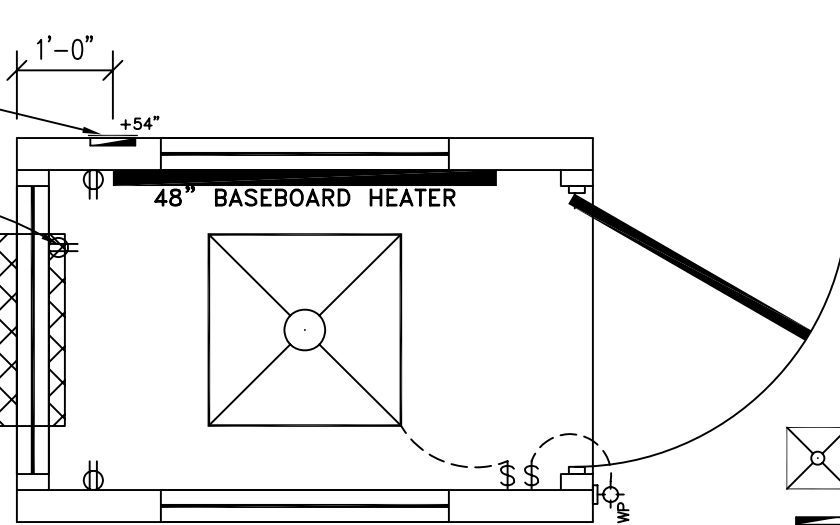


TITLE: ELEVATIONS (PLAN "A")	DRAWN BY: R.M.	DATE: 11/14/07	JOB NO: 2007-371
MODEL: 46 O/A GUARD BOOTH	REV:	SCALE: 1/4"=1'-0"	DRAWING NO: 2
TWIN MODULAR SERVICES, INC. 1001 LOWER LANDING RD, SUITE 607, BLACKWOOD, NJ 08012			

SURFACE MOUNTED  
100 AMP, EXTERIOR  
ELEC. PANEL

DEDICATED RECEPT  
FOR A/C

A/C MTD. UNDER  
WINDOW, 5000 BTU  
WALL MOUNTED

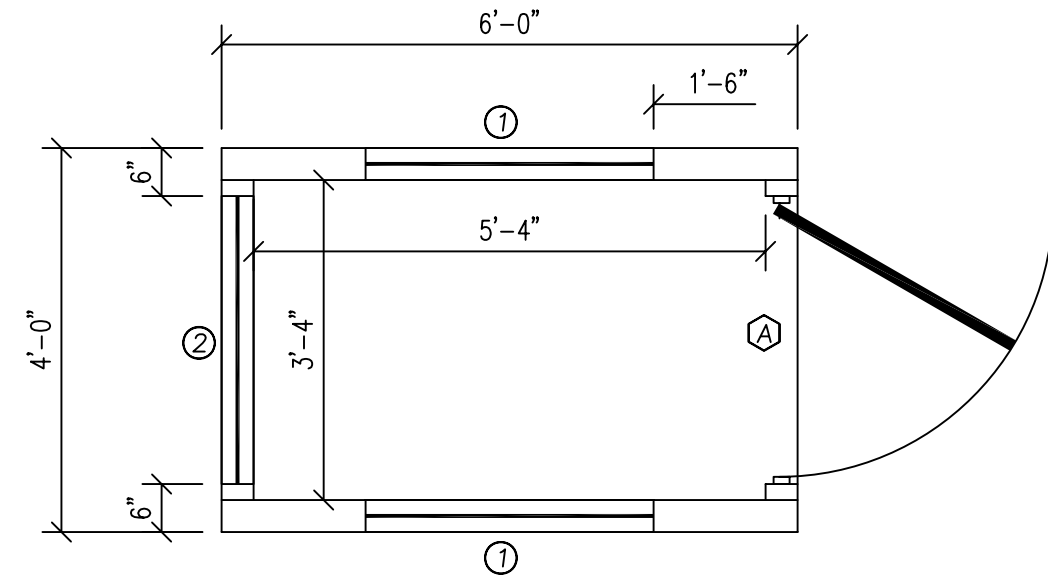


**ELECTRICAL LEGEND**

- 2'x2' (2) TUBE DROP-IN FLUORESCENT LIGHT
- 100A 120/240V MAIN PANEL, SURFACE MOUNTED EXTERIOR
- 15A 110V SINGLE POLE TOGGLE SWITCH +48"
- 15A 120V DUPLEX RECEPTACLE (RECEPTS AT +34" UNLESS NOTED)
- 150 WATT QUARTZ HALOGEN SECURITY LIGHT, WEATHERPROOF
- 48" ELECTRIC BASEBOARD HEATER

CAPACITIES OF INSULATED CONDUCTORS 90°C WIRE COPPER	
AWG	MAXIMUM AMPACITY
14	15 AMP
12	20 AMP
10	30 AMP
8	50 AMP
6	65 AMP
4	85 AMP
3	100 AMP
2	115 AMP
1	130 AMP

**OPERATORS BOOTH PLAN "A"**



**OPERATORS BOOTH PLAN "A"**

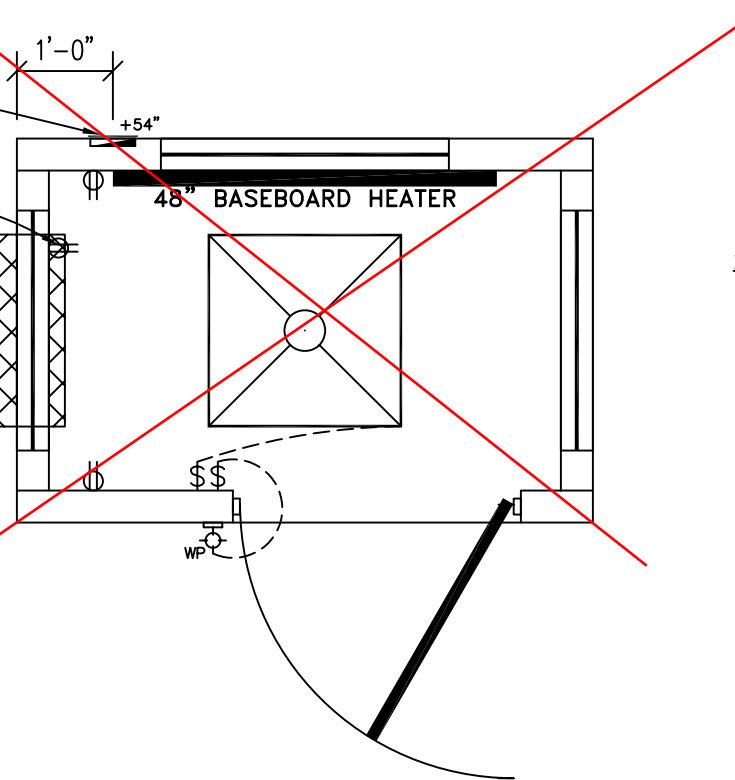
**DOOR AND WINDOW SCHEDULE**

- (A) 36"x80" ALUM. DOOR, ALUM. FRAME, FOAM INSULATED W/  
14"x14" S.G., LEVER PASSAGE HARDWARE
- (1) (2) 36"x39" **NON OPERABLE PICTURE - VINYL THERMAL INSULATED**
- (2) (1) 36"x39" **VINYL THERMAL INSULATED**

SURFACE MOUNTED  
100 AMP, EXTERIOR  
ELEC. PANEL

DEDICATED RECEPT  
FOR A/C

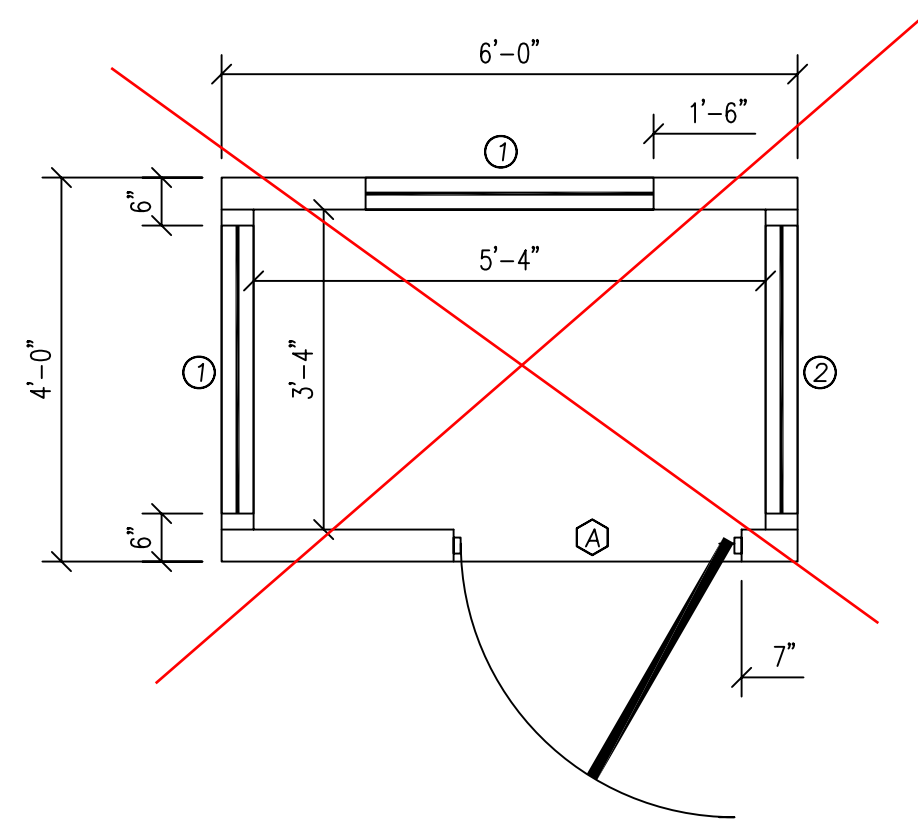
A/C MTD. UNDER  
WINDOW, 5000 BTU  
WALL MOUNTED



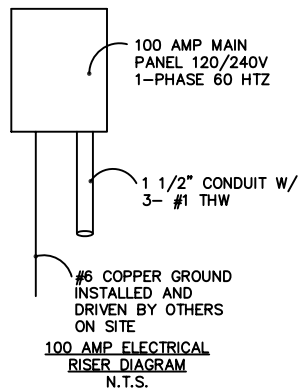
~~**GUARDHOUSE PLAN "B"**~~

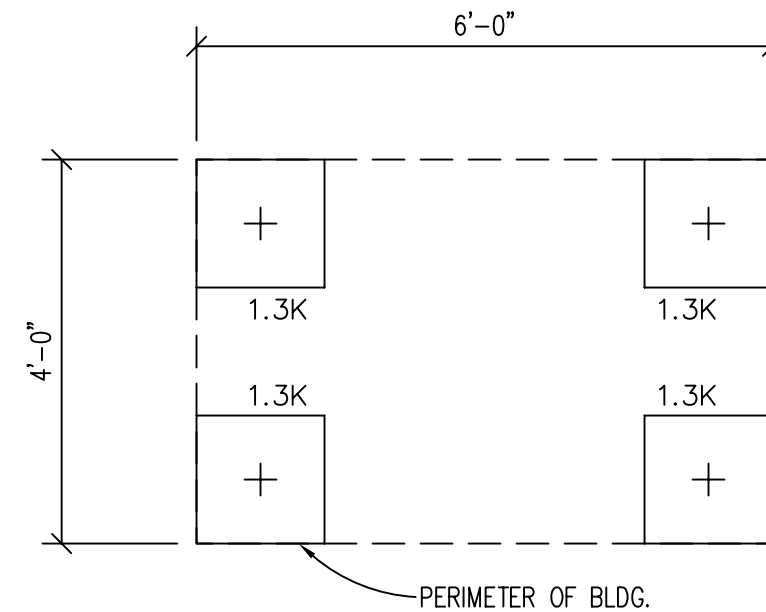
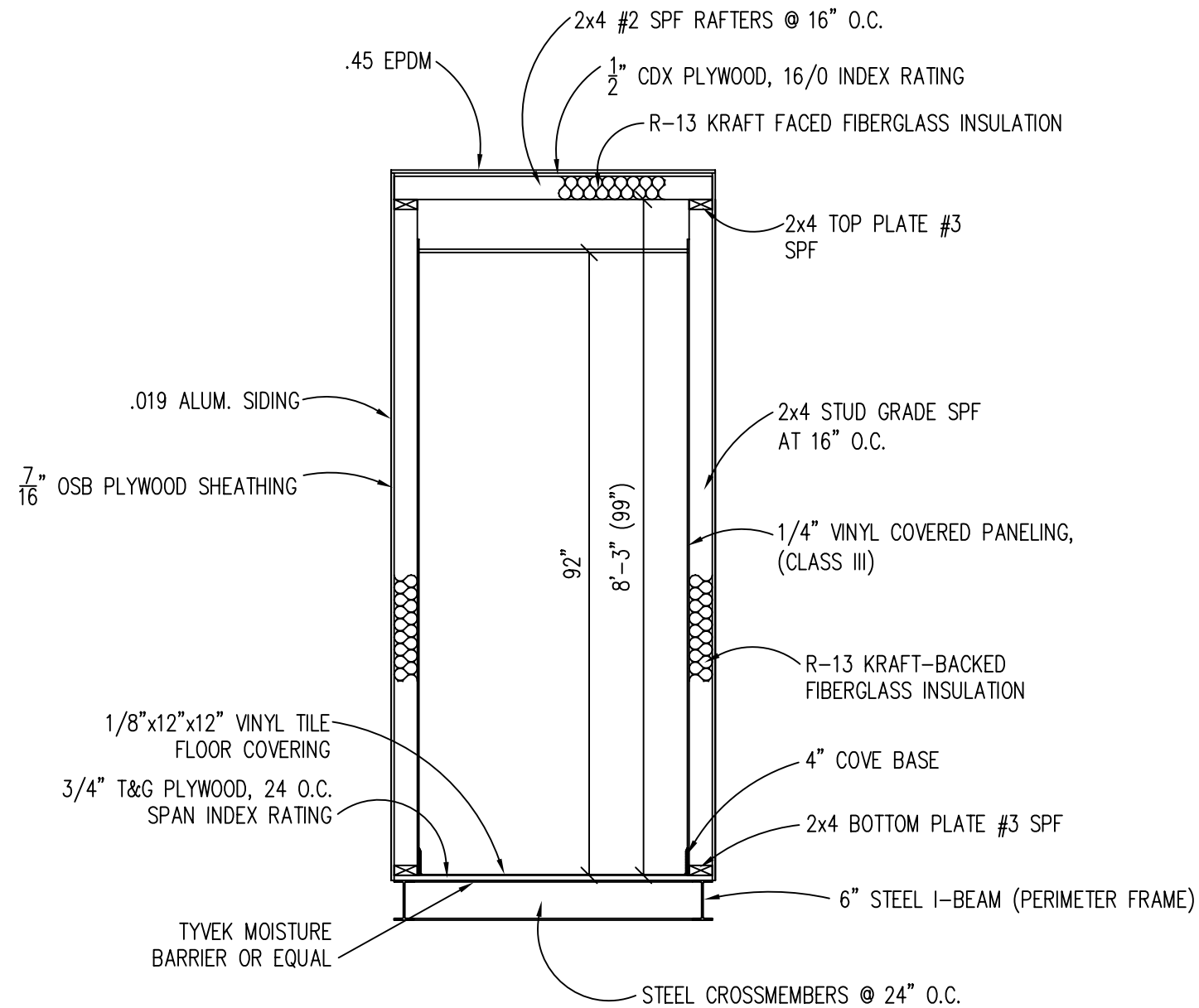
**ELECTRICAL**

1. ALL RECEPTACLES TO BE GROUNDING TYPE.
2. ALL WIRING TO BE PER THE EDITION OF THE NEC LISTED ON THE COVER PAGE, TYPE NM ROMEX (CU) W/ GROUND.
3. MAIN PANEL TO BE MARKED "SUITABLE FOR USE AS SERVICE EQUIPMENT", AND BE EQUIPPED W/ BREAKER/FUSE TYPE OVERCURRENT PROTECTION.
4. PROPER THERMAL OVERLOAD PROTECTION TO BE PROVIDED FOR ALL MOTORS.
5. DISCONNECTING MEANS WITHIN SIGHT REQUIRED FOR ALL MOTORS.
6. WEATHERPROOF PROTECTION REQUIRED FOR ALL OUTDOOR LIGHTS, RECEPTACLES AND DISCONNECTS.
7. PROPER WORKING CLEARANCES TO BE PROVIDED AND MAINTAINED ABOUT ALL ELECTRICAL EQUIPMENT.
8. ALL FLUORESCENT FIXTURES REQUIRE THERMAL PROTECTION AND PROPER CLEARANCES FROM INSULATION, ALSO APPLICABLE FOR INCANDESCENT FIXTURES.
9. COMBINATION EXHAUST FAN/LIGHT AND ALL RECESSED INCANDESCENT FIXTURES TO BE WITH THERMAL PROTECTION.
10. EXIT LIGHTS (IF ELECTRIC) MUST BE FED FROM AN APPROVED EMERGENCY SERVICE CONNECTED AHEAD OF, BUT NOT WITHIN MAIN SERVICE DISCONNECTION MEANS ENCLOSURE, AND INSTALLED AS PER SERVICE REQUIREMENTS, OR BE BATTERY BACKUP TYPE UNITS.
11. SERVICE CONDUCTORS, LOCATED WITHIN THE PERIMETER OF THE BUILDING, SHALL BE INSTALLED IN ACCORDANCE WITH ARTICLE 230-6, PER THE EDITION OF THE NEC LISTED ON THE COVER PAGE.
12. MAXIMUM 15 (2) TUBE FLOURESCENT LIGHTS ON 15A CIRCUIT, MAXIMUM 10 RECEPTS ON 15A CIRCUIT, MAXIMUM 7 (4) TUBE FLOURESCENT LIGHTS ON 15A CIRCUIT.
13. MAXIMUM 20 (2) TUBE FLOURESCENT LIGHTS ON 20A CIRCUIT, MAXIMUM 13 RECEPTS ON 20A CIRCUIT, MAXIMUM 10 (4) TUBE FLOURESCENT LIGHTS ON 20A CIRCUIT.



~~**GUARDHOUSE PLAN "B"**~~





## FOUNDATION AND TIE-DOWN DESIGN BY OTHERS

### BUILDING CODE

1. ATTIC VENTILATION SHALL NOT BE LESS THAN 1/150th OF THE HORIZONTAL AREA TO BE VENTILATED.
2. THE BUILDING EXTERIOR AND ALL FACILITIES WITHIN THE BUILDING SHALL BE IDENTIFIED WITH THE INTERNATIONAL SYMBOL OF ACCESSIBILITY.
3. OWNER/BUYER SHALL BE RESPONSIBLE FOR ON SITE BARRIER FREE PROVISIONS: STEPS, RAMPS, PARKING SIGNS, ETC. - BUILDING APPROACH (WALK OR RAMP) WITH A MINIMUM WIDTH OF 5' AND A GRADIENT OF NOT MORE THAN 1 FOOT IN 20 FEET.
4. ALL LOCKS TO BE UNLOCKABLE FROM THE INTERIOR WITHOUT THE USE OF A KEY OR SPECIAL KNOWLEDGE.
5. CORROSION RESISTANT FLASHING AT TOP AND SIDES OF DOORS, WINDOWS AND AT ROOF PENETRATIONS.
6. ALL GLAZING WITHIN 24" OF EXTERIOR PASSAGE DOORS AND IN PASSAGE DOORS, OR WITHIN 18" OF FLOOR TO BE "SAFETY GLAZED" AND SO MARKED.

### FOUNDATION

1. THE PIER LOCATIONS SHOWN ON THIS PLAN ARE FOR THE PURPOSE OF IDENTIFYING THE LOCATION OF THE REQUIRED BLOCKING POINTS AND THE LOADS APPLIED AT EACH POINT FOR THIS BUILDING. FOUNDATION REQUIREMENTS ARE NOT KNOWN DUE TO VARYING SOIL CONDITIONS.
2. FOUNDATION DESIGN IS BY OTHERS. FOUNDATION REVIEW AND APPROVAL IS TO BE PERFORMED BY THE LOCAL OFFICIAL HAVING JURISDICTION.
3. CRAWL SPACE TO BE VENTILATED AT 1 SQ. FT. PER EACH 150 SQ. FT. OF CRAWL SPACE AREA TO BE VENTILATED.
4. PROVIDE POSITIVE DRAINAGE UNDER UNIT.
5. PROVIDE MINIMUM CRAWL SPACE ACCESS OF 22" x 24".
6. PIER LOADS ARE SHOWN IN KIPS

### DESIGN LOADS

FLOOR LIVE LOAD	= 50 PSF
FLOOR DEAD LOAD	= 10 PSF
ROOF LIVE LOAD	= 40 PSF
ROOF DEAD LOAD	= 10 PSF
EXTERIOR WALL DEAD LOAD	= 42 PLF

### FOUNDATION LEGEND

	INDICATES BLOCKING TO BOTTOM OF MAIN I-BEAM
	INDICATES BLOCKING TO BOTTOM OF COLUMN
	INDICATES MINUTE-MAN OR EQUAL FRAME TIE-DOWN LOCATION AND DIRECTION

TITLE: BLOCKING POINTS PLAN CROSS SECTION	DATE: 11/14/07	JOB NO: 2007-371
MODEL: 46 0/A GUARD BOOTH	SCALE: 1/4" = 1'-0"	DRAWING NO: 5
TWIN MODULAR SERVICES, INC.		
1001 LOWER LANDING RD, SUITE 607, BLACKWOOD, NJ 08012		
DRAWN BY: R.M.		
REV:		